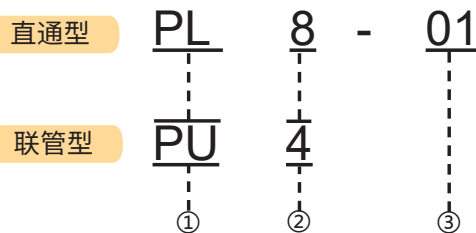


型式表示方法



产品特点

- 快插式气动管接头用于气动管类系统
- 管接头种类繁多，可以满足在气管类系统中的所有需要
- 即使安装后，管道的方向也可以任意自由改变。
- 镀镍的铜体可以防腐蚀和污染。
- 所有 R 和 NPT 螺纹带有密封胶，可以起到很好的密封作用。
- 所有直螺纹都配有标准的 O 型圈，防止漏气。

①接头型号

具体型号请参照接头详情页

②配套管材直径

代码	4	6	8	10	12	16
管长 (m)	Ø4	Ø6	Ø8	Ø10	Ø12	Ø16

③螺纹规格

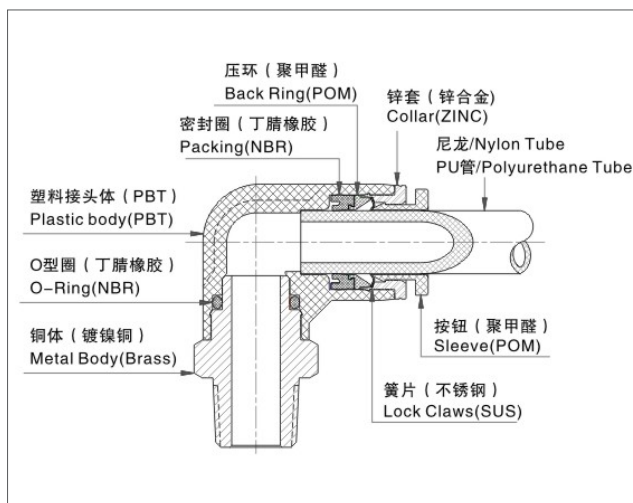
类型	公制螺纹			55°椎管螺纹					55°直管螺纹				
代码	M3	M5	M6	01	02	03	04	06	G01	G02	G03	G04	G06
规格	M3X0.5	M5X0.8	M6X1	R1/8	R1/4	R3/8	R1/2	R3/4	G1/8	G1/4	G3/8	G1/2	G3/4

技术规格

使用流体	空气、水 (有条件)
工作压力范围	0~1.2Mpa
使用真空压力	-100Kpa(10Torr)
工作温度范围	-10~60°C

警告: 在有水的条件下, 使用温度为 0~60°C, 工作压力为 0-0.3Mpa, 应无水锤(冲击流)等, 务必检查确认已插好管子。

结构示意图

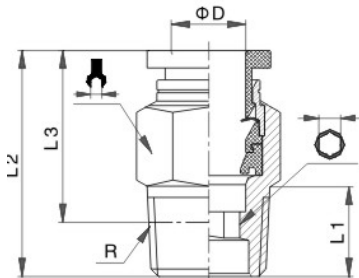


快插接头

Series

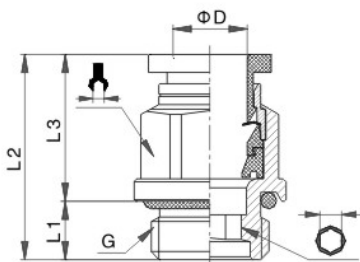
气动用管接头

PC-R 螺纹直通



型号	ØD	R	L1	L2	L3		
PC4-M5	4	M5	3.5	20	16.5	10	2
PC4-M6		M6	4	20.5	16.5	10	2.5
PC4-01		R1/8	7.5	19.5	15.5	10	3
PC4-02		R1/4	10	19.5	13.5	14	3
PC4-03		R3/8	10.5	20.5	14	17	3
PC6-M5	6	M5	3.5	21	17.5	12	2
PC6-M6		M6	4	21.5	17.5	12	2.5
PC6-01		R1/8	7.5	21	17	12	4
PC6-02		R1/4	10	23	17	14	4
PC6-03		R3/8	10.5	21	14.5	17	4
PC6-04	R1/2	13.5	25	16.5	21	4	
PC8-01	8	R1/8	7.5	26.5	22.5	14	5
PC8-02		R1/4	10	25	19	14	6
PC8-03		R3/8	10.5	21.5	15	17	6
PC8-04		R1/2	13.5	25.5	17.5	21	6
PC10-01	10	R1/8	7.5	29	25	17	5
PC10-02		R1/4	10	31	25	17	6
PC10-03		R3/8	10.5	27	20.5	17	8
PC10-04		R1/2	13.5	26.5	18	21	8
PC10-06		R3/4	15	28	18.5	27	8
PC12-01	12	R1/8	7.5	31.5	27.5	21	5
PC12-02		R1/4	10	34	28	21	6
PC12-03		R3/8	10.5	29.5	23	21	8
PC12-04		R1/2	13.5	32.5	24.5	21	10
PC12-06		R3/4	15	29	19.58	27	10
PC16-02	16	R1/4	10	36	30	24	6
PC16-03		R3/8	10.5	37	30.5	24	12
PC16-04		R1/2	13.5	37	28.5	24	12
PC16-06		R3/4	15	29.5	20	27	12

PC-G 螺纹直通



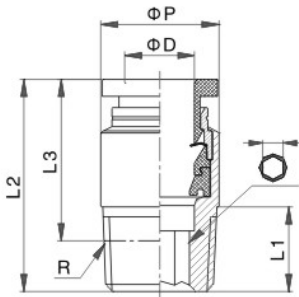
型号	ØD	G	L1	L2	L3		
PC4-G01	4	G1/8	5.5	19.5	14	10	3
PC4-G02		G1/4	6.5	19.5	13	12	3
PC6-G01	6	G1/8	5.5	20.5	15	12	4
PC6-G02		G1/4	6.5	21.5	15	12	4
PC6-G03		G3/8	7.5	21	13.5	16	4
PC6-G04		G1/2	10	23.5	13.5	17	4
PC8-G01	8	G1/8	5.5	26	20.5	14	5
PC8-G02		G1/4	6.5	23	16.5	14	6
PC8-G03		G3/8	7.5	24	16.5	16	6
PC8-G04		G1/2	10	25	15	19	6
PC10-G01	10	G1/8	5.5	28.5	23	17	5
PC10-G02		G1/4	6.5	29.5	23	17	6
PC10-G03		G3/8	7.5	26	18.5	17	8
PC10-G04		G1/2	10	26	16	19	8
PC12-G02	12	G1/4	6.5	31.5	25	20	6
PC12-G03		G3/8	7.5	32.5	25.5	20	8
PC12-G04		G1/2	10	30.5	20.5	20	10
PC16-G02	16	G1/4	6.5	33	26.5	24	6
PC16-G03		G3/8	7.5	34.5	27.5	24	10
PC16-G04		G1/2	10	37	27	24	12



快插接头

Series

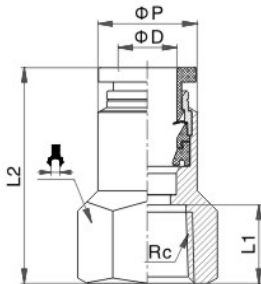
气动用管接头


POC-R 螺纹直通



型号	ØD	R	L1	L2	L3		
POC4-M5	4	M5	3.5	20	16.5	10	2
POC4-M6		M6	4	20.5	16.5	10	2.5
POC4-01		R1/8	7.5	19.5	15.5	10	3
POC4-02		R1/4	10	19.5	13.5	14	3
POC6-M5	6	M5	3.5	21	17.5	12	2
POC6-M6		M6	4	21.5	17.5	12	2.5
POC6-01		R1/8	7.5	21	17	12	4
POC6-02		R1/4	10	23	17	14	4
POC6-03	R3/8	10.5	21	14.5	17	4	
POC8-01	8	R1/8	7.5	26.5	22.5	14	5
POC8-02		R1/4	10	25	19	14	6
POC8-03		R3/8	10.5	21.5	15	17	6
POC8-04		R1/2	13.5	25.5	17.5	21	6
POC10-01	10	R1/8	7.5	29	25	17	5
POC10-02		R1/4	10	31	25	17	6
POC10-03		R3/8	10.5	27	20.5	17	8
POC10-04		R1/2	13.5	26.5	18	21	8
POC12-02	12	R1/4	10	34	28	21	6
POC12-03		R3/8	10.5	29.5	23	21	8
POC12-04		R1/2	13.5	32.5	24.5	21	10
POC16-03	16	R3/8	10.5	37	30.5	24	12
POC16-04		R1/2	13.5	37	28.5	24	12

PCF-R 内螺纹直通



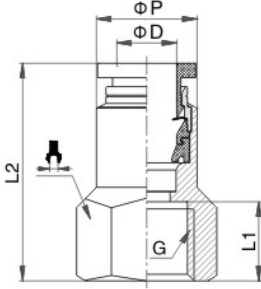
型号	ØD	R	L1	L2	ØP	
PCF4-M5	4	M5	5	21.5	10	10
PCF4-M6		M6	5	21.5		10
PCF4-01		R1/8	8.5	24.5		14
PCF4-02		R1/4	11	27		17
PCF6-M5	6	M5	5	22	12	12
PCF6-M6		M6	5	22		12
PCF6-01		R1/8	8.5	25.5		14
PCF6-02		R1/4	11	28		17
PCF6-03	R3/8	11.5	28.5	20		
PCF8-01	8	R1/8	8.5	27.5	14	14
PCF8-02		R1/4	11	30		17
PCF8-03		R3/8	11.5	30.5		20
PCF8-04		R1/2	14	33		24
PCF10-01	10	R1/8	8.5	30	17	17
PCF10-02		R1/4	11	32.5		17
PCF10-03		R3/8	11.5	33		20
PCF10-04		R1/2	14	35.5		24
PCF12-02	12	R1/4	11	35	20	20
PCF12-03		R3/8	11.5	35.5		20
PCF12-04		R1/2	14	38		24
PCF16-03	16	R3/8	11.5	37	24	24
PCF16-04		R1/2	14	39.5		24


快插接头

Series

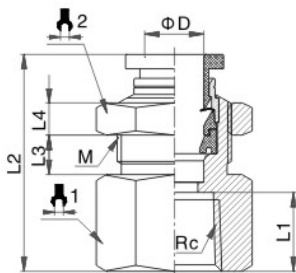
气动用管接头



PCF-G 内螺纹直通



型号	ØD	R	L1	L2	ØP	
PCF4-G01	4	G1/8	8.5	24.5	10	14
PCF4-G02		G1/4	11	27		17
PCF6-G01	6	G1/8	8.5	25.5	12	14
PCF6-G02		G1/4	11	28		17
PCF6-G03		G3/8	11.5	28.5		20
PCF8-G01	8	G1/8	8.5	27.5	14	14
PCF8-G02		G1/4	11	30		17
PCF8-G03		G3/8	11.5	30.5		20
PCF8-G04		G1/2	14	33		24
PCF10-G01	10	G1/8	8.5	30	17	17
PCF10-G02		G1/4	11	32.5		17
PCF10-G03		G3/8	11.5	33		20
PCF10-G04		G1/2	14	35.5		24
PCF12-G02	12	G1/4	11	35	20	20
PCF12-G03		G3/8	11.5	35.5		20
PCF12-G04		G1/2	14	38		24
PCF16-G03	16	G3/8	11.5	37	24	24
PCF16-G04		R1/2	14	39.5		24

PMF-R 内螺纹隔板直通



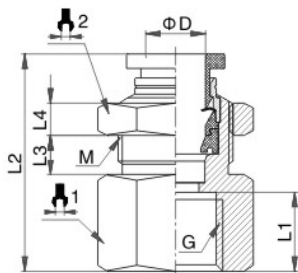
型号	ØD	R	L1	L2	L3	L4	M	1 	2 
PMF4-01	4	R1/8	8.5	24.5	5	3.5	M12*1.0	14	14
PMF4-02		R1/4	11	27	8	3.5	M12*1.0	17	14
PMF6-01	6	R1/8	8.5	25.5	5.5	4	M14*1.0	17	17
PMF6-02		R1/4	11	28	5.5	4	M14*1.0	17	17
PMF6-03		R3/8	11.5	28.5	5.5	4	M14*1.0	20	17
PMF8-01	8	R1/8	8.5	27.5	5.5	4.5	M16*1.0	19	19
PMF8-02		R1/4	11	30	5.5	4.5	M16*1.0	19	19
PMF8-03		R3/8	11.5	30.5	5.5	4.5	M16*1.0	20	19
PMF8-04		R1/2	14	33	5.5	4.5	M16*1.0	24	19
PMF10-02	10	R1/4	11	32.5	7	5	M18*1.0	21	21
PMF10-03		R3/8	11.5	33	7	5	M18*1.0	21	21
PMF10-04		R1/2	14	35.5	7	5	M18*1.0	24	21
PMF12-02	12	R1/4	11	35	9	5	M22*1.0	27	27
PMF12-03		R3/8	11.5	35.5	9	5	M22*1.0	27	27
PMF12-04		R1/2	14	38	9	5	M22*1.0	27	27

快插接头

Series

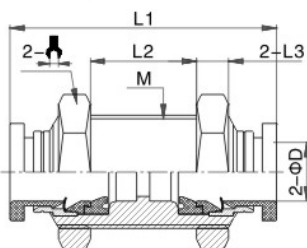
气动用管接头

PMF-G 内螺纹隔板直通



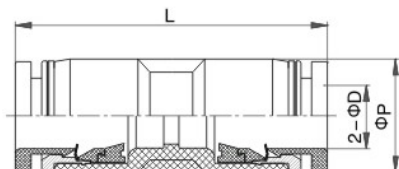
型号	ØD	R	L1	L2	L3	L4	M	1	2
PMF4-G01	4	G1/8	8.5	24.5	5	3.5	M12*1.0	14	14
PMF4-G02		G1/4	11	27	8	3.5	M12*1.0	17	14
PMF6-G01	6	G1/8	8.5	25.5	5.5	4	M14*1.0	17	17
PMF6-G02		G1/4	11	28	5.5	4	M14*1.0	17	17
PMF6-G03		G3/8	11.5	28.5	5.5	4	M14*1.0	20	17
PMF8-G01	8	G1/8	8.5	27.5	5.5	4.5	M16*1.0	19	19
PMF8-G02		G1/4	11	30	5.5	4.5	M16*1.0	19	19
PMF8-G03		G3/8	11.5	30.5	5.5	4.5	M16*1.0	20	19
PMF8-G04		G1/2	14	33	5.5	4.5	M16*1.0	24	19
PMF10-G02	10	G1/4	11	32.5	7	5	M18*1.0	21	21
PMF10-G03		G3/8	11.5	33	7	5	M18*1.0	21	21
PMF10-G04		G1/2	14	35.5	7	5	M18*1.0	24	21
PMF12-G02	12	G1/4	11	35	9	5	M22*1.0	27	27
PMF12-G03		G3/8	11.5	35.5	9	5	M22*1.0	27	27
PMF12-G04		G1/2	14	38	9	5	M22*1.0	27	27

PM 隔板联管直通



型号	ØD	M	L1	L2	L3	1
PM4	4	M12*1.0	31	13	3.5	14
PM6	6	M14*1.0	32.5	13	4	17
PM8	8	M16*1.0	37	15	4.5	19
PM10	10	M18*1.0	42	18.5	5	21
PM12	12	M22*1.0	46	20	5	27
PM16	16	M26*1.0	49	22	6	32

PU 联管直通



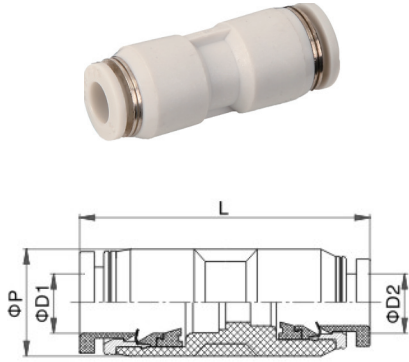
型号	ØD	L	ØP
PU4	4	33.5	11
PU6	6	34.5	13
PU8	8	40	14.5
PU10	10	44	18.5
PU12	12	48	21
PU16	8	63.5	26

快插接头

Series

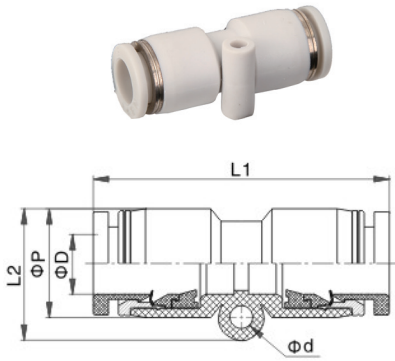
气动用管接头

PUG 异径联管直通



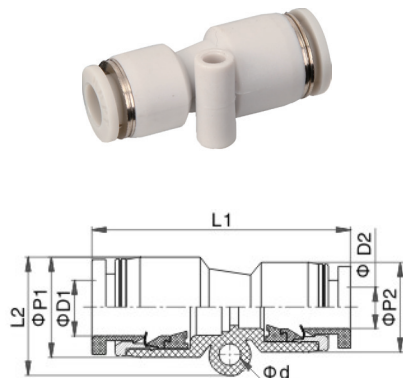
型号	ØD1	ØD2	L	ØP
PUG6-4	6	4	34.5	13
PUG8-4	8	4	39	14.5
PUG8-6	8	6	39	14.5
PUG10-6	10	6	42.5	18.5
PUG10-8	10	8	43	18.5
PUG12-6	12	6	47.5	21
PUG12-8	12	8	48	21
PUG12-10	12	10	48.5	21
PUG16-12	16	12	64	26

PUC 联管直通



型号	ØD	L1	L2	ØP	Ød
PUC4	4	33	13.5	11	3.2
PUC6	6	35	16	13	3.2
PUC8	8	38	17	14.5	3.2
PUC10	10	48	21.5	18.5	4.2
PUC12	12	49	24	21	4.2
PUC16	8	64	28	26	5.2

PG 异径联管直通



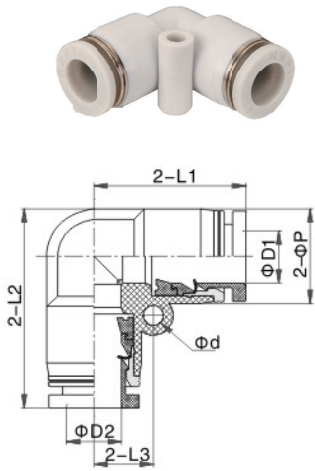
型号	ØD1	ØD2	L1	L2	ØP1	ØP2	Ød
PG6-4	6	4	34	15	13	11	3.2
PG8-4	8	4	36	16.5	14.5	13	3.2
PG8-6	8	6	36.5	16.5	14.5	13	3.2
PG10-6	10	6	43	19.5	18.5	14.5	3.2
PG10-8	10	8	43	19.5	18.5	14.5	3.2
PG12-6	12	6	47	23.5	21	18.5	4.2
PG12-8	12	8	47	23.5	21	18.5	4.2
PG12-10	12	10	48	23.5	21	18.5	4.2
PG16-12	16	12	64	28	26	26	5.2

快插接头

Series

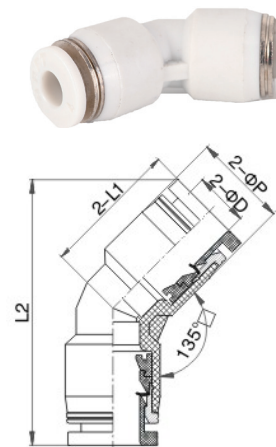
气动用管接头

PUL 联管直角弯头



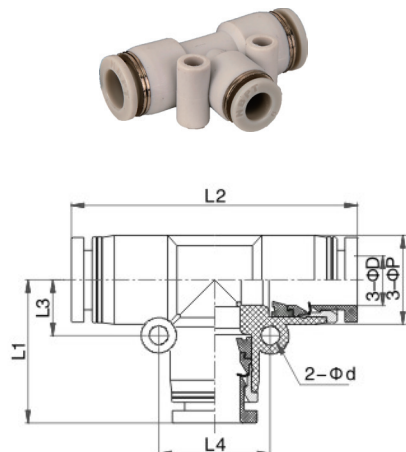
型号	ØD1	ØD2	L1	L2	L3	ØP2	Ød
PUL4	4	4	18.5	24	7	11	3.2
PUL6	6	6	19	25.5	8	13	3.2
PUL8	8	8	23	30.5	9	14.5	3.2
PUL10	10	10	27.5	37	11.5	18.5	4.2
PUL12	12	12	29	39.5	13	21	4.2
PUL16	16	16	32.5	45.5	14	26	5.2
PUL6-4	6	4	19	25.5	8	13	3.2
PUL8-6	8	6	23	30.5	9	14.5	3.2
PUL10-8	10	8	27.5	37	11.5	18.5	4.2
PUL12-10	12	10	29	39.5	13	21	4.2

PUL135° 联管弯头



型号	ØD1	ØP	L1	L2
PUL135°4	4	11	16.5	31.5
PUL135°6	6	13	17.5	34
PUL135°8	8	14.5	20.5	40.5
PUL135°10	10	18.5	24	46.5
PUL135°12	12	21	26	51.5

PUT 联管正直通



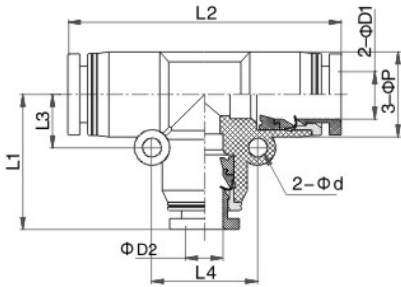
型号	ØD1	ØP	L1	L2	L3	L4	Ød
PUT4	4	11	18.5	37	7	14	3.2
PUT6	6	13	19	38	8	16	3.2
PUT8	8	14.5	23	46	9	18	3.2
PUT10	10	18.5	27.5	55	11.5	23	4.2
PUT12	12	21	29	58	13	26	4.2
PUT16	16	26	32.5	65	14	28	5.2

快插接头

Series

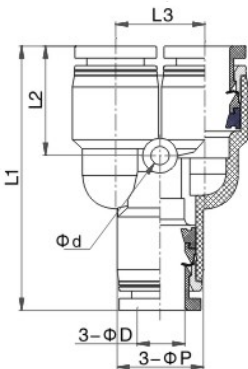
气动用管接头

PGT 联管异径三通



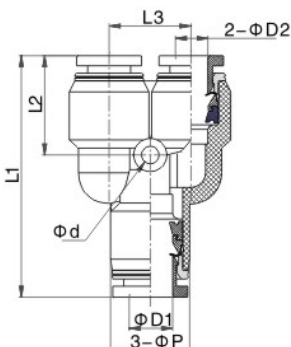
型号	ØD1	ØD2	ØP	L1	L2	L3	L4	Ød
PGT6-4	6	4	13	19	38	8	16	3.2
PGT4-6	4	6	13	19	38	8	16	3.2
PGT8-6	8	6	14.5	22	46	9	18	3.2
PGT6-8	6	8	14.5	23	44	9	18	3.2
PGT10-8	10	8	18.5	27	55	11.5	23	4.2
PGT8-10	8	10	18.5	27.5	54	11.5	23	4.2
PGT12-10	12	10	21	29.5	59	13	26	4.2
PGT10-12	10	12	21	29	58	13	26	4.2
PGT16-12	16	12	26	32	65	14	28	5.2

PY 联管 Y 形三通



型号	ØD1	L1	L2	L3	ØP	Ød
PY4	4	35.5	14	11	11	3.2
PY6	6	38	15	13	13	3.2
PY8	8	44.5	18.5	14.5	14.5	3.2
PY10	10	50	21	18	18.5	4.2
PY12	12	55	22	21	21	4.2
PY16	16	55.5	22	26	26	4.2

PW 联管 Y 形异径三通



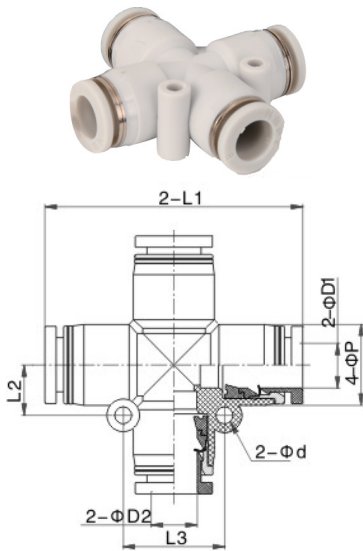
型号	ØD1	ØD2	L1	L2	L3	ØP	Ød
PW6-4	6	4	37	14.7	13	13	3.2
PW8-6	8	6	43.5	17.5	14.5	14.5	3.2
PW10-8	10	8	49.5	20.5	18	18.5	4.2
PW12-10	12	10	54.5	21.5	21	21	4.2
PW16-12	16	12	55	21.5	26	26	4.2

快插接头

Series

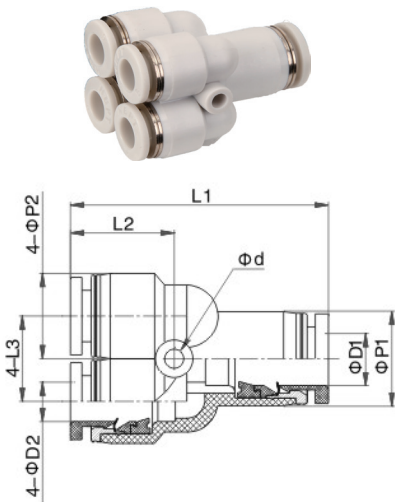
气动用管接头

PAZ 十字形联管四通



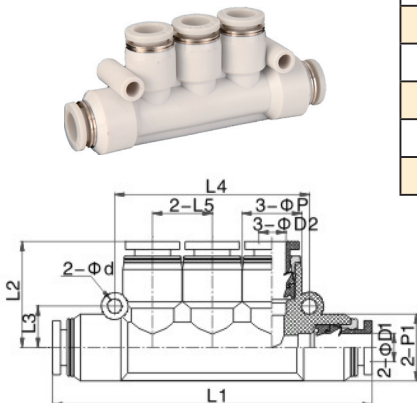
型号	ØD1	ØD2	ØP	L1	L2	L3	Ød
PZA4	4	4	11	37	7.5	15	3.2
PZA6	6	6	13	38	8	16	3.2
PZA8	8	8	14.5	45	9	18	3.2
PZA10	10	10	18.5	56	11.5	23	4.2
PZA12	12	12	21	58	13	26	4.2
PZA6-4	6	4	13	38	8	16	3.2
PZA8-6	8	6	14.5	45	9	18	3.2
PZA10-8	10	8	18.5	56	11.5	23	4.2
PZA12-10	12	10	21	58	13	26	4.2

PRG 联管 Y 形五通



型号	ØD1	ØD2	L1	L2	L3	ØP1	ØP2	Ød
PRG8-4	8	4	38.5	15.5	13	14.5	13	3.2
PRG8-6	8	6	38.5	15.5	13	14.5	13	3.2
PRG6-6	6	6	38.5	15.5	13	14.5	13	3.2

PK 联管五通



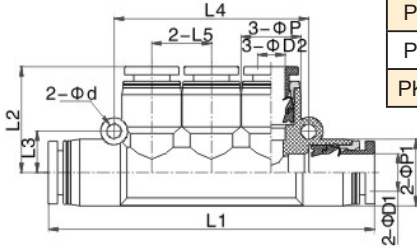
型号	ØD1	ØD2	L1	L2	L3	L4	L5	ØP1	ØP2	Ød
PK4	4	4	59	19	8	37.5	11	13	11	3.2
PK6	6	6	69	23	8.5	42	13	14.5	13	3.2
PK8	8	8	78.5	25	11	47.5	14.5	18.5	14.5	4.2
PK10	10	10	92.5	29.5	12.5	60	18.5	21	18.5	4.2
PK12	12	12	100	29.5	13	68.5	21	21	21	4.2

快插接头

Series

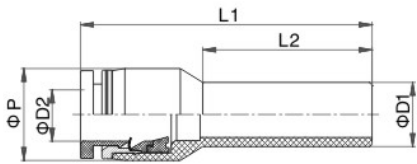
气动用管接头

PKG 联管异径五通



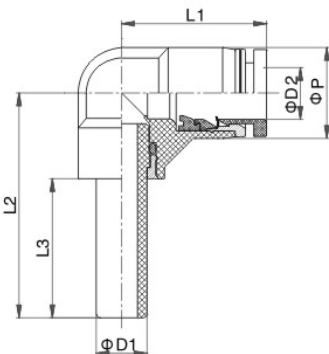
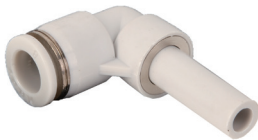
型号	ØD1	ØD2	L1	L2	L3	L4	L5	ØP1	ØP2	Ød
PKG6-4	6	4	60	19	8	37.5	11	13	11	3.2
PKG8-4	8	4	71	22	8.5	42	13	14.5	13	3.2
PKG8-6	8	6	71	23	8.5	42	13	14.5	13	3.2
PKG10-6	10	6	80.5	24	11	47.5	14.5	18.5	14.5	4.2
PKG10-8	10	8	80.5	25	11	47.5	14.5	18.5	14.5	4.2
PKG12-6	12	6	93.5	28	12.5	60	18.5	21	18.5	4.2
PKG12-8	12	8	93.5	29	12.5	60	18.5	21	18.5	4.2
PKG12-10	12	10	93.5	29.5	12.5	60	18.5	21	18.5	4.2

PGJ 插杆异径直通



型号	ØD1	ØD2	L1	L2	ØP
PGJ6-4	6	4	38.5	22	11
PGJ8-4	8	4	40	25	11
PGJ8-6	8	6	41	25	13
PGJ10-6	10	6	41	26.5	13
PGJ10-8	10	8	45.5	26.5	14.5
PGJ12-6	12	6	40	26.5	13
PGJ12-8	12	8	43	26.5	14.5
PGJ12-10	12	10	51	26.5	18.5

PLJ 插杆直角弯头



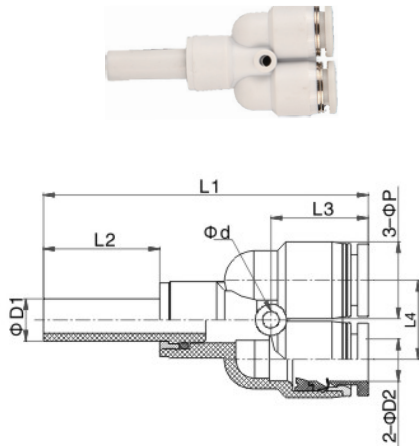
型号	ØD1	ØD2	L1	L2	L3	ØP
PLJ4	4	4	18.5	28.5	18.5	11
PJL6-4	6	4	18.5	29	19	11
PJL6	6	6	19.5	30	19	13
PJL8-6	8	6	22.5	35.5	22	14.5
PJL8	8	8	23	35.5	22	14.5
PJL10-8	10	8	26.5	39	23.5	18.5
PJL10	10	10	27	39	23.5	18.5
PJL12-10	12	10	27	42	26.5	18.5
PJL12	12	12	29.5	42.5	26.5	21

快插接头

Series

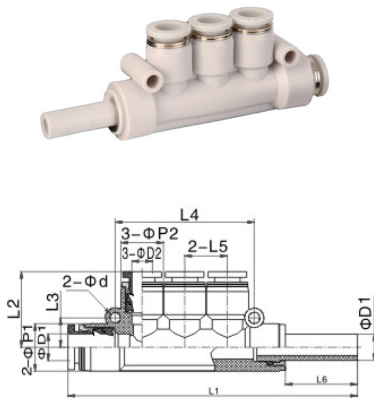
气动用管接头

PYJ 插杆 Y 形三通



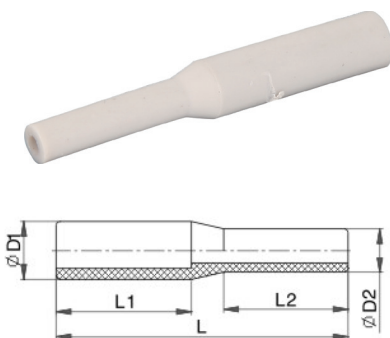
型号	ØD1	ØD2	L1	L2	L3	L4	ØP	Ød
PYJ4	4	4	48.5	18.5	14	11	11	3.2
PYJ6-4	6	4	49.5	19	14	11	11	3.2
PYJ6	6	6	52.5	19	15	13	13	3.2
PYJ8-6	8	6	61	22	18	14.5	14.5	4.2
PYJ8	8	8	61.5	22	18.5	14.5	14.5	4.2
PYJ10-8	10	8	67.5	23.5	20.5	18	18.5	4.2
PYJ10	10	10	68	23.5	21	18	18.5	4.2
PYJ12-10	12	10	71	26.5	21	18	18.5	4.2
PYJ12	12	12	76	26.5	22	21	21	4.2

PKJ 插杆 T 形五通



型号	ØD1	ØD2	ØP1	ØP2	L1	L2	L3	L4	L5	L6	Ød
PKJ4	4	4	13	11	72.5	19	8	37.5	11	18.5	3.2
PKJ6-4	6	4	13	11	74.5	19	8	37.5	11	19	3.2
PKJ6	6	6	14.5	13	83.5	23	8.5	42	13	19	3.2
PKJ8-4	8	4	14.5	13	87.5	22	8.5	42	13	22	3.2
PKJ8-6	8	6	14.5	13	87.5	23	8.5	42	13	22	3.2
PKJ8	8	8	18.5	14.5	95.5	25	11	47.5	14.5	22	4.2
PKJ10-6	10	6	18.5	14.5	97.5	24	11	47.5	14.5	23.5	4.2
PKJ10-8	10	8	18.5	14.5	97.5	25	11	47.5	14.5	23.5	4.2
PKJ10	10	10	21	18.5	110	29.5	12.5	60	18.5	23.5	4.2
PKJ12-6	12	6	21	18.5	115	28	12.5	60	18.5	26.5	4.2
PKJ12-8	12	8	21	18.5	115	29	12.5	60	18.5	26.5	4.2
PKJ12-10	12	10	21	18.5	115	29.5	12.5	60	18.5	26.5	4.2
PKJ12	12	12	21	21	121	29.5	13	68.5	21	26.5	4.2

PIJ/PJG 接插管



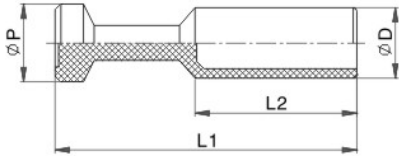
型号	ØD1	ØD2	L	L1	L2
PIJ4	4	4	35	15	15
PIJ6	6	6	37	16	16
PIJ8	8	8	42	18.5	18.5
PIJ10	10	10	45	20	20
PIJ12	12	12	51	23	23
PIJ16	16	16	55	24	24
PIG6-4	6	4	36	16	15
PIG8-4	8	4	37.5	18.5	15
PIG8-6	8	6	39	18.5	16
PIG10-6	10	6	41.5	20	16
PIG10-8	10	8	43	20	18.5
PIG12-8	12	8	44.5	23	18.5
PIG12-10	12	10	48	23	20
PIG16-12	16	12	54	24	23

快插接头

气动用管接头

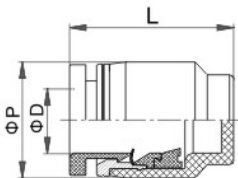
Series

PP 堵杆



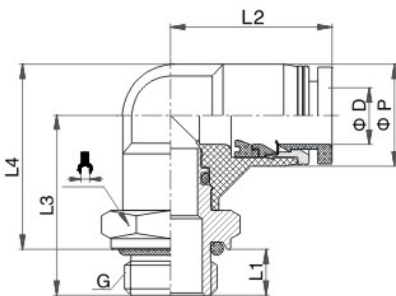
型号	ØD	ØP	L1	L2
PP4	4	5	28	15
PP6	6	7	33	16
PP8	8	9	36	18.5
PP10	10	11	42.5	20
PP12	12	13	43	23
PP16	16	17	49	24


PPF 管塞



型号	ØD	ØP	L
PPF4	4	11	18
PPF6	6	13	19
PPF8	8	14.5	21
PPF10	10	18.5	23
PPF12	12	21	25
PPF16	16	26	27.5

PL-G 螺纹直角终端



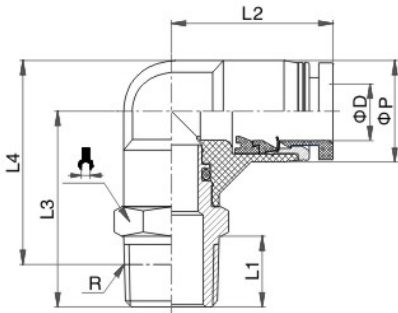
型号	ØD	G	L1	L2	L3	L4	ØP	
PL4-G01	4	G1/8	5.5	18.5	21	21	11	14
PL4-G02	4	G1/4	6.5	18.5	22	21	11	17
PL4-G03	4	G3/8	7.5	18.5	24	22	11	20
PL6-G01	6	G1/8	5.5	19.5	22	23	13	14
PL6-G02	6	G1/4	6.5	19.5	23	23	13	17
PL6-G03	6	G3/8	7.5	19.5	25	24	13	20
PL8-G01	8	G1/8	5.5	23	24.5	26	14.5	14
PL8-G02	8	G1/4	6.5	23	25.5	26	14.5	17
PL8-G03	8	G3/8	7.5	23	27.5	27	14.5	20
PL8-G04	8	G1/2	10	23	30	27	14.5	24
PL10-G01	10	G1/8	5.5	27	26.5	30	18.5	17
PL10-G02	10	G1/4	6.5	27	27.5	30	18.5	17
PL10-G03	10	G3/8	7.5	27	29.5	31	18.5	20
PL10-G04	10	G1/2	10	27	32	31	18.5	24
PL12-G01	12	G1/8	5.5	29.5	27	32	21	17
PL12-G02	12	G1/4	6.5	29.5	228	32	21	17
PL12-G03	12	G3/8	7.5	29.5	30	33	21	20
PL12-G04	12	G1/2	10	29.5	32.5	33	21	24
PL16-G02	16	G1/4	6.5	31.5	35.5	41.5	26	21
PL16-G03	16	G3/8	7.5	31.5	36.5	41.5	26	21
PL16-G04	16	G1/2	10	31.5	39	41.5	26	24


快插接头

Series

气动用管接头

PL-R 螺纹直角终端



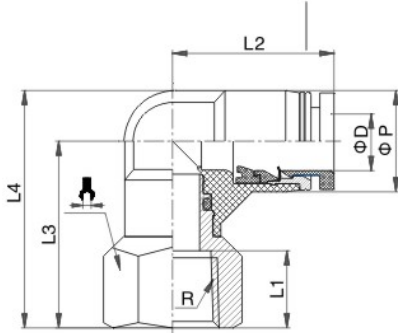
型号	ØD	R	L1	L2	L3	L4	ØP	
PL4-M5	4	M5	3.5	18.5	18.5	20.5	11	12
PL4-M6	4	M6	4	18.5	19	20.5	11	12
PL4-01	4	R1/8	7.5	18.5	21	22.5	11	12
PL4-02	4	R1/4	10	18.5	24	23.5	11	14
PL4-03	4	R3/8	10.5	18.5	25	24	11	17
PL6-M5	6	M5	3.5	19.5	19.5	22.5	13	12
PL6-M6	6	M6	4	19.5	20	22.5	13	12
PL6-01	6	R1/8	7.5	19.5	22	24.5	13	12
PL6-02	6	R1/4	10	19.5	25	25.5	13	14
PL6-03	6	R3/8	10.5	19.5	26	26	13	17
PL6-04	6	R1/2	13.5	19.5	29.5	27.5	13	21
PL8-01	8	R1/8	7.5	23	25	28.5	14.5	14
PL8-02	8	R1/4	10	23	27.5	29	14.5	14
PL8-03	8	R3/8	10.5	23	28.5	29	14.5	17
PL8-04	8	R1/2	13.5	23	32	31	14.5	21
PL10-01	10	R1/8	7.5	27	27.5	32.5	18.5	17
PL10-02	10	R1/4	10	27	30	33	18.5	17
PL10-03	10	R3/8	10.5	27	30.5	33	18.5	17
PL10-04	10	R1/2	13.5	27	34	35	18.5	21
PL10-06	10	R3/4	15	27	36.5	36	18.5	27
PL12-01	12	R1/8	7.5	29.5	28	34.5	21	17
PL12-02	12	R1/4	10	29.5	30.5	35	21	17
PL12-03	12	R3/8	10.5	29.5	31	35	21	17
PL12-04	12	R1/2	13.5	29.5	34.5	36.5	21	21
PL12-06	12	R3/4	15	29.5	37	38	21	27
PL16-02	16	R1/4	10	31.5	36.5	43.5	26	21
PL16-03	16	R3/8	11	31.5	39	45	26	21
PL16-04	16	R1/2	14	31.5	41.5	46	26	21
PL16-06	16	R3/4	15	31.5	43.5	47	26	27

快插接头

Series

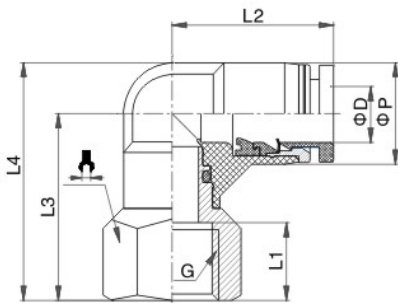
气动用管接头

PLF-R 内螺纹直角终端



型号	ØD	R	L1	L2	L3	L4	ØP	
PLF4-M5	4	M5	5	18.5	17	22.5	11	12
PLF4-M6	4	M6	5	18.5	17	22.5	11	12
PLF4-01	4	R1/8	8.5	18.5	20	25.5	11	14
PLF4-02	4	R1/4	11	18.5	23	28.5	11	17
PLF6-M5	6	M5	5	19.5	18	24.5	13	12
PLF6-M6	6	M6	5	19.5	18	24.5	13	12
PLF6-01	6	R1/8	8.5	19.5	21	27.5	13	14
PLF6-02	6	R1/4	11	19.5	24	30.5	13	14
PLF6-03	6	R3/8	11.5	19.5	25.5	32	13	20
PLF8-01	8	R1/8	8.5	23	23.5	30.5	14.5	14
PLF8-02	8	R1/4	11	23	26.5	33.5	14.5	17
PLF8-03	8	R3/8	11.5	23	28	35	14.5	20
PLF8-04	8	R1/2	14	23	31.5	38.5	14.5	24
PLF10-01	10	R1/8	8.5	27	25.5	34.5	18.5	14
PLF10-02	10	R1/4	11	27	28.5	37.5	18.5	17
PLF10-03	10	R3/8	11.5	27	29	38	18.5	20
PLF10-04	10	R1/2	14	27	33.5	42.5	18.5	24
PLF12-01	12	R1/8	8.5	29.5	26	36.5	21	17
PLF12-02	12	R1/4	11	29.5	29	39.5	21	17
PLF12-03	12	R3/8	11.5	29.5	29.5	40	21	20
PLF12-04	12	R1/2	14	29.5	34	44.5	21	24

PLF-G 内螺纹直角终端



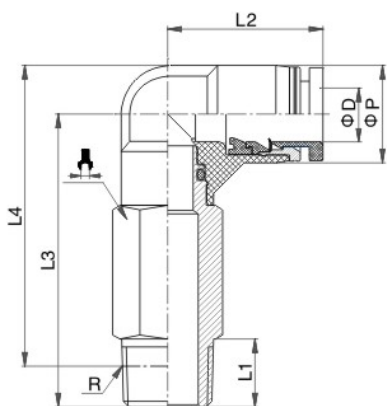
型号	ØD	G	L1	L2	L3	L4	ØP	
PLF4-G01	4	G1/8	8.5	18.5	20	25.5	11	14
PLF4-G02	4	G1/4	11	18.5	23	28.5	11	17
PLF6-G01	6	G1/8	8.5	19.5	21	27.5	13	14
PLF6-G02	6	G1/4	11	19.5	24	30.5	13	14
PLF6-G03	6	G3/8	11.5	19.5	25.5	32	13	20
PLF8-G01	8	G1/8	8.5	23	23.5	30.5	14.5	14
PLF8-G02	8	G1/4	11	23	26.5	33.5	14.5	17
PLF8-G03	8	G3/8	11.5	23	28	35	14.5	20
PLF8-G04	8	G1/2	14	23	31.5	38.5	14.5	24
PLF10-G01	10	G1/8	8.5	27	25.5	34.5	18.5	14
PLF10-G02	10	G1/4	11	27	28.5	37.5	18.5	17
PLF10-G03	10	G3/8	11.5	27	29	38	18.5	20
PLF10-G04	10	G1/2	14	27	33.5	42.5	18.5	24
PLF12-G01	12	G1/8	8.5	29.5	26	36.5	21	17
PLF12-G02	12	G1/4	11	29.5	29	39.5	21	17
PLF12-G03	12	G3/8	11.5	29.5	29.5	40	21	20
PLF12-G04	12	G1/2	14	29.5	34	44.5	21	24


快插接头

Series

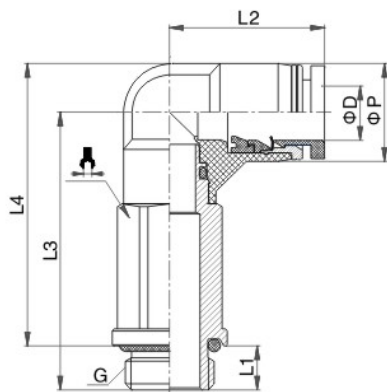
气动用管接头


PLL-R 螺纹长直角终端



型号	ØD	R	L1	L2	L3	L4	ØP	
PLL4-M5	4	M5	3.5	18.5	30.5	32.5	11	12
PLL4-M6	4	M6	4	18.5	31	32.5	11	12
PLL4-01	4	R1/8	7.5	18.5	33	34.5	11	12
PLL4-02	4	R1/4	10	18.5	36	35.5	11	14
PLL6-M5	6	M5	3.5	19.5	33.5	36.5	13	12
PLL6-M6	6	M6	4	19.5	34	36.5	13	12
PLL6-01	6	R1/8	7.5	19.5	36	38.5	13	12
PLL6-02	6	R1/4	10	19.5	39	39.5	13	14
PLL6-03	6	R3/8	10.5	19.5	40	40	13	17
PLL6-04	6	R1/2	13.5	19.5	43.5	41.5	13	21
PLL8-01	8	R1/8	7.5	23	40.5	44	14.5	14
PLL8-02	8	R1/4	10	23	43	44.5	14.5	14
PLL8-03	8	R3/8	10.5	23	44	45	14.5	17
PLL8-04	8	R1/2	13.5	23	47.5	46.5	14.5	21
PLL10-01	10	R1/8	7.5	27	47	52	18.5	17
PLL10-02	10	R1/4	10	27	49.5	52.5	18.5	17
PLL10-03	10	R3/8	10.5	27	50	53	18.5	17
PLL10-04	10	R1/2	13.5	27	53.5	54.5	18.5	21
PLL12-01	12	R1/8	7.5	29.5	50	56.5	21	17
PLL12-02	12	R1/4	10	29.5	52.5	57	21	17
PLL12-03	12	R3/8	10.5	29.5	53	57	21	17
PLL12-04	12	R1/2	13.5	29.5	56.5	59	21	21

PLL-G 螺纹长直角终端



型号	ØD	G	L1	L2	L3	L4	ØP	
PLL4-G01	4	G1/8	5.5	18.5	33	33	11	12
PLL4-G02	4	G1/4	6.5	18.5	34	33	11	12
PLL6-G01	6	G1/8	5.5	19.5	36	37	13	12
PLL6-G02	6	G1/4	6.5	19.5	37	37	13	12
PLL6-G03	6	G3/8	7.5	19.5	39	38	13	16
PLL8-G01	8	G1/8	5.5	23	40	41.5	14.5	14
PLL8-G02	8	G1/4	6.5	23	41	41.5	14.5	14
PLL8-G03	8	G3/8	7.5	23	43	42.5	14.5	16
PLL8-G04	8	G1/2	10	23	45.5	42.5	14.5	19
PLL10-G01	10	G1/8	5.5	27	46	49.5	18.5	17
PLL10-G02	10	G1/4	6.5	27	47	49.5	18.5	17
PLL10-G03	10	G3/8	7.5	27	49	50.5	18.5	17
PLL10-G04	10	G1/2	10	27	51.5	50.5	18.5	19
PLL12-G01	12	G1/8	5.5	29.5	49	54	21	17
PLL12-G02	12	G1/4	6.5	29.5	50	54	21	17
PLL12-G03	12	G3/8	7.5	29.5	52	55	21	17
PLL12-G04	12	G1/2	10	29.5	54.5	55	21	19


快插接头

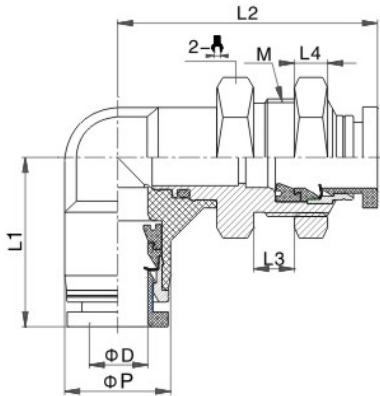
Series

气动用管接头

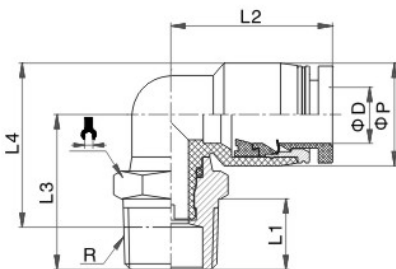
PLM 隔板直角弯头



型号	ØD	M	L1	L2	L3	L4	ØP	
PLM4	4	M12*1.0	18.5	28	5	3.5	11	14
PLM6	6	M14*1.0	19.5	31	5.5	4	13	17
PLM8	8	M16*1.0	23	35	5.5	4.5	14.5	19
PLM10	10	M18*1.0	27	40	7	5	18.5	21
PLM12	12	M22*1.0	29.5	43.5	9	5	21	27



NPL-R 螺纹内接直角终端



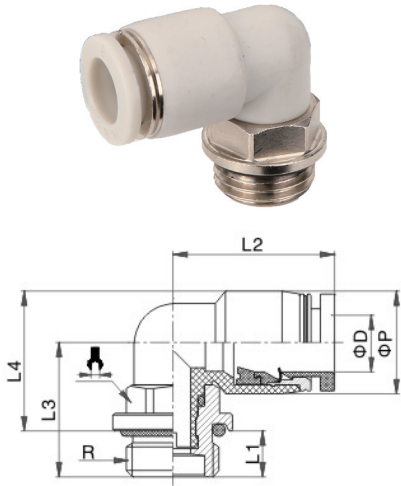
型号	ØD	R	L1	L2	L3	L4	ØP	
NPL4-M5	4	M5	3.5	18	16.5	18.5	11	10
NPL4-M6	4	M6	4	18	17	18.5	11	10
NPL4-01	4	R1/8	7.5	18	18	19.5	11	10
NPL4-02	4	R1/4	10	18	20.5	20	11	14
NPL6-M5	6	M5	3.5	19.5	17	20	13	10
NPL6-M6	6	M6	4	19.5	17.5	20	13	10
NPL6-01	6	R1/8	7.5	19.5	18.5	21	13	10
NPL6-02	6	R1/4	10	19.5	21	21.5	13	14
NPL6-03	6	R3/8	10.5	19.5	22	22	13	17
NPL8-01	8	R1/8	7.5	22.5	19.5	22.5	14.5	12
NPL8-02	8	R1/4	10	22.5	22	23	14.5	14
NPL8-03	8	R3/8	10.5	22.5	23	23.5	14.5	14
NPL8-04	8	R1/2	13.5	22.5	26.5	25.5	14.5	21
NPL10-02	10	R1/4	10	27.5	24.5	28	18.5	17
NPL10-03	10	R3/8	10.5	27.5	25	28	18.5	17
NPL10-04	10	R1/2	13.5	27.5	28.5	29.5	18.5	21
NPL12-02	12	R1/4	10	29.5	26	30.5	21	17
NPL12-03	12	R3/8	10.5	29.5	26.5	30.5	21	17
NPL12-04	12	R1/2	13.5	29.5	30	32	21	21


快插接头

Series

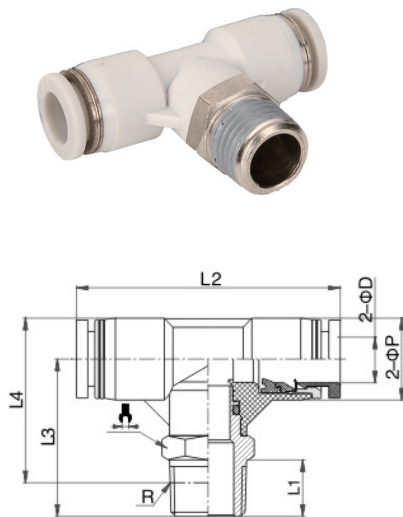
气动用管接头


NPL-G 螺纹内接直角终端



型号	ØD	G	L1	L2	L3	L4	ØP	
NPL4-G01	4	G1/8	5.5	18	16.5	16.5	11	10
NPL4-G02	4	G1/4	6.5	18	17.5	16.5	11	10
NPL6-G01	6	G1/8	5.5	19.5	17	18	13	10
NPL6-G02	6	G1/4	6.5	19.5	18	18	13	10
NPL6-G03	6	G3/8	7.5	19.5	19.5	18.5	13	10
NPL8-G01	8	G1/8	5.5	22.5	18	19.5	14.5	12
NPL8-G02	8	G1/4	6.5	22.5	19	19.5	14.5	12
NPL8-G03	8	G3/8	7.5	22.5	20.5	20	14.5	12
NPL8-G04	8	G1/2	10	22.5	23.5	20.5	14.5	12
NPL10-G02	10	G1/4	6.5	27.5	24.5	27.5	18.5	16
NPL10-G03	10	G3/8	7.5	27.5	21.5	23.5	18.5	16
NPL10-G04	10	G1/2	10	27.5	24.5	24	18.5	16
NPL12-G02	12	G1/4	6.5	29.5	26	30	21	16
NPL12-G03	12	G3/8	7.5	29.5	23	26	21	16
NPL12-G04	12	G1/2	10	29.5	26	26.5	21	16

PB-R 螺纹三通终端



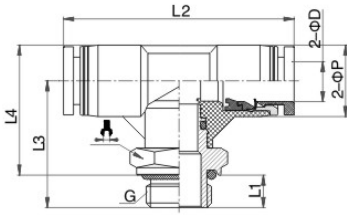
型号	ØD	R	L1	L2	L3	L4	ØP	
PB4-M5	4	M5	3.5	37	18.5	20.5	11	12
PB4-M6	4	M6	4	37	19	20.5	11	12
PB4-01	4	R1/8	7.5	37	21	22.5	11	12
PB4-02	4	R1/4	10	37	24	23.5	11	14
PB4-03	4	R3/8	10.5	37	25	24	11	17
PB6-M5	6	M5	3.5	39	19.5	22.5	13	12
PB6-M6	6	M6	4	39	20	22.5	13	12
PB6-01	6	R1/8	7.5	39	22	24.5	13	12
PB6-02	6	R1/4	10	39	25	25.5	13	14
PB6-03	6	R3/8	10.5	39	26	26	13	17
PB6-04	6	R1/2	13.5	39	29.5	27.5	13	21
PB8-01	8	R1/8	7.5	46	25	28.5	14.5	14
PB8-02	8	R1/4	10	46	27.5	29	14.5	14
PB8-03	8	R3/8	10.5	46	28.5	29	14.5	17
PB8-04	8	R1/2	13.5	46	32	31	14.5	21
PB10-01	10	R1/8	7.5	54.5	27.5	32.5	18.5	17
PB10-02	10	R1/4	10	54.5	30	33	18.5	17
PB10-03	10	R3/8	10.5	54.5	30.5	33	18.5	17
PB10-04	10	R1/2	13.5	54.5	34	35	18.5	21
PB12-01	12	R1/8	7.5	59	28	34.5	21	17
PB12-02	12	R1/4	10	59	30.5	35	21	17
PB12-03	12	R3/8	10.5	59	31	35	21	17
PB12-04	12	R1/2	13.5	59	34.5	36.5	21	21
PB16-03	12	R3/8	11	61	42	48.5	26	21
PB16-04	12	R1/2	14	61	45.5	50	26	21


快插接头

Series

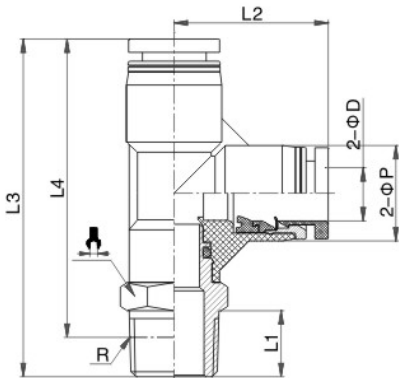
气动用管接头


PB-G 螺纹三通终端



型号	ØD	G	L1	L2	L3	L4	ØP	
PB4-G01	4	G1/8	5.5	37	21	21	11	14
PB4-G02	4	G1/4	6.5	37	22	21	11	17
PB4-G03	4	G3/8	7.5	37	24	22	11	20
PB6-G01	6	G1/8	5.5	39	22	23	13	14
PB6-G02	6	G1/4	6.5	39	23	23	13	17
PB6-G03	6	G3/8	7.5	39	25	24	13	20
PB8-G01	8	G1/8	5.5	46	24.5	26	14.5	14
PB8-G02	8	G1/4	6.5	46	25.5	26	14.5	17
PB8-G03	8	G3/8	7.5	46	27.5	27	14.5	20
PB8-G04	8	G1/2	10	46	30	27	14.5	24
PB10-G01	10	G1/8	5.5	54.5	26.5	30	18.5	17
PB10-G02	10	G1/4	6.5	54.5	27.5	30	18.5	17
PB10-G03	10	G3/8	7.5	54.5	29.5	32	18.5	20
PB10-G04	10	G1/2	10	54.5	32	31	18.5	24
PB12-G01	12	G1/8	5.5	59	27	32	21	17
PB12-G02	12	G1/4	6.5	59	28	32	21	17
PB12-G03	12	G3/8	7.5	59	30	33	21	20
PB12-G04	12	G1/2	10	59	32.5	33	21	24
PB16-G03	12	G3/8	7.5	61	39.5	46	26	21
PB16-G04	12	G1/2	10	61	43	46	26	24

PD-R 螺纹侧三通终端



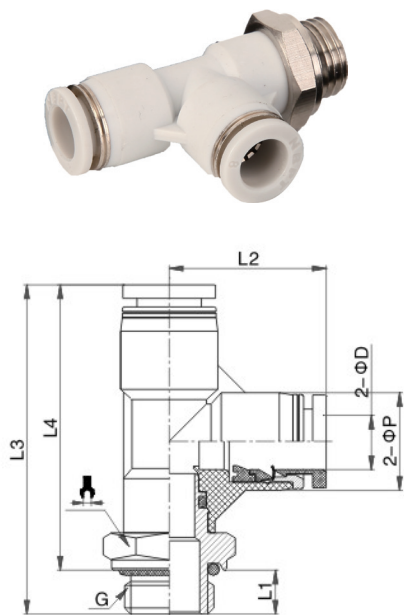
型号	ØD	R	L1	L2	L3	L4	ØP	
PD4-M5	4	M5	3.5	18.5	37	33.5	11	12
PD4-M6	4	M6	4	18.5	37.5	33.5	11	12
PD4-01	4	R1/8	7.5	18.5	40	36	11	12
PD4-02	4	R1/4	10	18.5	43	37	11	14
PD4-03	4	R3/8	10.5	18.5	43.5	37	11	17
PD6-M5	6	M5	3.5	19.5	39	35.5	13	12
PD6-M6	6	M6	4	19.5	39.5	35.5	13	12
PD6-01	6	R1/8	7.5	19.5	42	38	13	12
PD6-02	6	R1/4	10	19.5	45	39	13	14
PD6-03	6	R3/8	10.5	19.5	45.5	39	13	17
PD6-04	6	R1/2	13.5	19.5	49	41	13	21
PD8-01	8	R1/8	7.5	23	48.5	44.5	14.5	14
PD8-02	8	R1/4	10	23	51	45	14.5	14
PD8-03	8	R3/8	10.5	23	51.5	45	14.5	17
PD8-04	8	R1/2	13.5	23	55	47	14.5	21
PD10-01	10	R1/8	7.5	27	55	51	18.5	17
PD10-02	10	R1/4	10	27	57	51	18.5	17
PD10-03	10	R3/8	10.5	27	57.5	51	18.5	17
PD10-04	10	R1/2	13.5	27	61	53	18.5	21
PD12-01	12	R1/8	7.5	29.5	57.5	53.5	21	17
PD12-02	12	R1/4	10	29.5	60	54	21	17
PD12-03	12	R3/8	10.5	29.5	60.5	54	21	17
PD12-04	12	R1/2	13.5	29.5	64	56	21	21

快插接头

Series

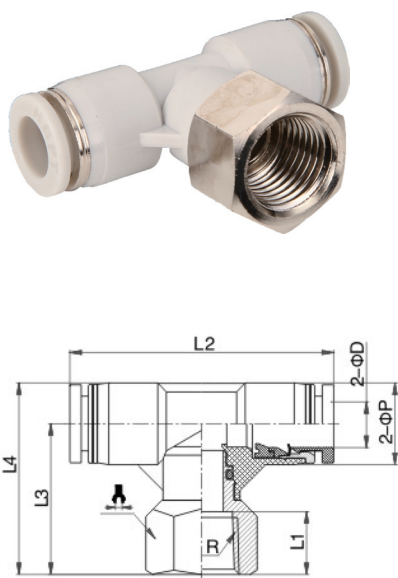
气动用管接头

PD-G 螺纹侧三通终端



型号	ØD	G	L1	L2	L3	L4	ØP	
PD4-G01	4	G1/8	5.5	18.5	39.5	34	11	14
PD4-G02	4	G1/4	6.5	18.5	40.5	34	11	17
PD4-G03	4	G3/8	7.5	18.5	42.5	35	11	20
PD6-G01	6	G1/8	5.5	19.5	41.2	36	13	14
PD6-G02	6	G1/4	6.5	19.5	42.5	36	13	17
PD6-G03	6	G3/8	7.5	19.5	44.5	37	13	20
PD8-G01	8	G1/8	5.5	23	47.5	42	14.5	14
PD8-G02	8	G1/4	6.5	23	48.5	42	14.5	17
PD8-G03	8	G3/8	7.5	23	50.5	43	14.5	20
PD8-G04	8	G1/2	10	23	53	43	14.5	24
PD10-G01	10	G1/8	5.5	27	53.5	48	18.5	17
PD10-G02	10	G1/4	6.5	27	54.5	48	18.5	17
PD10-G03	10	G3/8	7.5	27	56.5	49	18.5	20
PD10-G04	10	G1/2	10	27	59	49	18.5	24
PD12-G01	12	G1/8	5.5	29.5	56.5	51	21	17
PD12-G02	12	G1/4	6.5	29.5	57.5	51	21	17
PD12-G03	12	G3/8	7.5	29.5	59.5	52	21	20
PD12-G04	12	G1/2	10	29.5	62	52	21	24

PBF 内螺纹侧三通终端



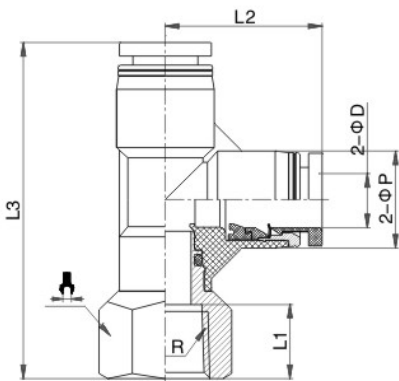
型号	ØD	R	L1	L2	L3	L4	ØP	
PBF4-M5	4	M5	5	37	17	22.5	11	12
PBF4-M6	4	M6	5	37	17	22.5	11	12
PBF4-01	4	R1/8	8.5	37	20	25.5	11	12
PBF4-02	4	R1/4	11	37	23	28.5	11	14
PBF4-03	4	R3/8	11.5	37	24.5	30	11	17
PBF6-M5	6	M5	5	39	18	24.5	13	12
PBF6-M6	6	M6	5	39	18	24.5	13	12
PBF6-01	6	R1/8	8.5	39	21	27.5	13	12
PBF6-02	6	R1/4	11	39	24	30.5	13	14
PBF6-03	6	R3/8	11.5	39	25.5	32	13	17
PBF8-01	8	R1/8	8.5	46	23.5	30.5	14.5	14
PBF8-02	8	R1/4	11	46	26.5	33.5	14.5	17
PBF8-03	8	R3/8	11.5	46	28	35	14.5	20
PBF8-04	8	R1/2	14	46	31.5	38.5	14.5	24
PBF10-01	10	R1/8	8.5	54.5	25.5	34.5	18.5	17
PBF10-02	10	R1/4	11	54.5	28	37.5	18.5	17
PBF10-03	10	R3/8	11.5	54.5	29	38	18.5	20
PBF10-04	10	R1/2	14	54.5	33.5	42.5	18.5	24
PBF12-01	12	R1/8	8.5	59	26	36.5	21	17
PBF12-02	12	R1/4	11	59	29	39.5	21	17
PBF12-03	12	R3/8	11.5	59	29.5	40	21	20
PBF12-04	12	R1/2	14	59	34	43.5	21	24

快插接头

Series

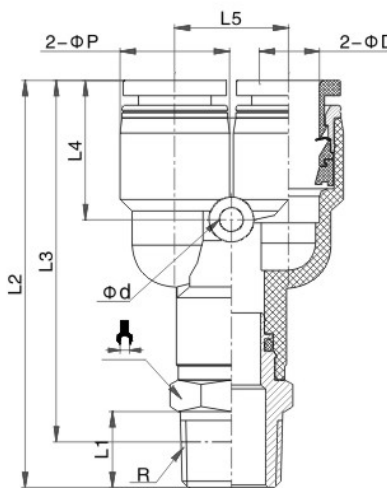
气动用管接头

PDF 内螺纹侧三通终端



型号	ØD	R	L1	L2	L3	ØP	Icon
PDF4-M5	4	M5	5	18.5	35.5	11	12
PDF4-M6	4	M6	5	18.5	35.5	11	12
PDF4-01	4	R1/8	8.5	18.5	38.5	11	12
PDF4-02	4	R1/4	11	18.5	41.5	11	14
PDF4-03	4	R3/8	11.5	18.5	43	11	17
PDF6-M5	6	M5	5	19.5	37.5	13	12
PDF6-M6	6	M6	5	19.5	37.5	13	12
PDF6-01	6	R1/8	8.5	19.5	40.5	13	12
PDF6-02	6	R1/4	11	19.5	43.5	13	14
PDF6-03	6	R3/8	11.5	19.5	45	13	17
PDF8-01	8	R1/8	8.5	23	46.5	14.5	14
PDF8-02	8	R1/4	11	23	49.5	14.5	17
PDF8-03	8	R3/8	11.5	23	51	14.5	20
PDF8-04	8	R1/2	14	23	54.5	14.5	24
PDF10-01	10	R1/8	8.5	29.5	52.5	18.5	17
PDF10-02	10	R1/4	11	29.5	55.5	18.5	17
PDF10-03	10	R3/8	11.5	29.5	56	18.5	20
PDF10-04	10	R1/2	14	29.5	60.5	18.5	24
PDF12-01	12	R1/8	8.5	29.5	55.5	21	17
PDF12-02	12	R1/4	11	29.5	58.5	21	17
PDF12-03	12	R3/8	11.5	29.5	59	21	20
PDF12-04	12	R1/2	14	29.5	63.5	21	24

PWT-R 螺纹 Y 形三通终端



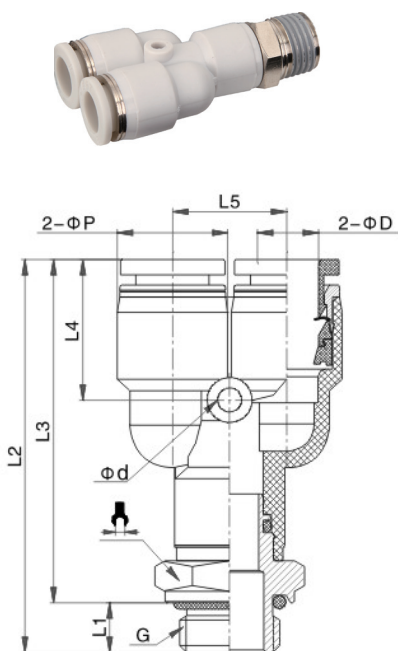
型号	ØD	R	L1	L2	L3	L4	L5	ØP	Icon
PWT4-M5	4	M5	3.5	39	35.5	14	11	11	12
PWT4-M6	4	M6	4	39.5	35.5	14	11	11	12
PWT4-01	4	R1/8	7.5	41.5	37.5	14	11	11	12
PWT4-02	4	R1/4	10	44.5	38.5	14	11	11	14
PWT4-03	4	R3/8	10.5	45.5	39	14	11	11	17
PWT6-M5	6	M5	3.5	42	38.5	15	13	13	12
PWT6-M6	6	M6	4	42.5	37	15	13	13	12
PWT6-01	6	R1/8	7.5	45	41	15	13	13	12
PWT6-02	6	R1/4	10	47.5	41.5	15	13	13	14
PWT6-03	6	R3/8	10.5	48.5	42	15	13	13	17
PWT6-04	6	R1/2	13.5	52	44	15	13	13	21
PWT8-01	8	R1/8	7.5	51	47	18	14.5	14.5	14
PWT8-02	8	R1/4	10	53.5	47.5	18	14.5	14.5	17
PWT8-03	8	R3/8	10.5	54.5	48	18	14.5	14.5	17
PWT8-04	8	R1/2	13.5	58	49.5	18	14.5	14.5	21
PWT10-01	10	R1/8	7.5	56.5	52.5	21	18.5	18.5	17
PWT10-02	10	R1/4	10	59	53	21	18.5	18.5	17
PWT10-03	10	R3/8	10.5	59.5	53	21	18.5	18.5	17
PWT10-04	10	R1/2	13.5	63	55	21	18.5	18.5	21
PWT12-02	12	R1/4	10	64	58	21.5	21	21	17
PWT12-03	12	R3/8	10.5	64.5	58	21.5	21	21	17
PWT12-04	12	R1/2	13.5	68	60	21.5	21	21	21
PWT16-03	16	R3/8	11	65.5	59	22	26	26	21
PWT16-04	16	R1/2	14	69	61	22	26	26	21

快插接头

Series

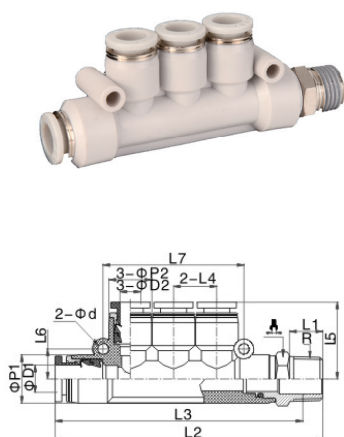
气动用管接头

PWT-G 螺纹 Y 形三通终端



型号	ØD	G	L1	L2	L3	L4	L5	ØP	ØD	Icon
PWT4-G01	4	G1/8	5.5	41.5	36	14	11	11	14	
PWT4-G02	4	G1/4	6.5	42.5	36	14	11	11	17	
PWT4-G03	4	G3/8	7.5	44.5	37	14	11	11	20	
PWT6-G01	6	G1/8	5.5	44.5	39	15	13	13	14	
PWT6-G02	6	G1/4	6.5	45.5	39	15	13	13	17	
PWT6-G03	6	G3/8	7.5	47.5	40	15	13	13	20	
PWT8-G01	8	G1/8	5.5	50.5	45	18	14.5	14.5	14	
PWT8-G02	8	G1/4	6.5	51.5	45	18	14.5	14.5	17	
PWT8-G03	8	G3/8	7.5	53.5	46	18	14.5	14.5	20	
PWT8-G04	8	G1/2	10	56	46	18	14.5	14.5	24	
PWT10-G01	10	G1/8	5.5	55.5	50	21	18.5	18.5	14	
PWT10-G02	10	G1/4	6.5	56.5	50	21	18.5	18.5	17	
PWT10-G03	10	G3/8	7.5	58.5	51	21	18.5	18.5	20	
PWT10-G04	10	G1/2	10	61	51	21	18.5	18.5	24	
PWT12-G02	12	G1/4	6.5	61.5	55	21.5	21	21	17	
PWT12-G03	12	G3/8	7.5	63.5	56	21.5	21	21	20	
PWT12-G04	12	G1/2	10	66	56	21.5	21	21	24	
PWT16-G03	16	G3/8	7.5	63	56.5	22	26	26	21	
PWT16-G04	16	G1/2	10	66.5	56.8	22	26	26	24	

PKD-R 螺纹五通终端



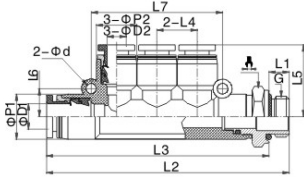
型号	ØD1	ØD2	R	L1	L2	L3	L4	L5	L6	L7	ØP1	ØP2	Ød	Icon
PKD4-01	4	4	R1/8	7.5	65.5	61.5	11	19	8	37.5	13	11	3.2	12
PKD4-02	4	4	R1/4	10	68	62	11	19	8	37.5	13	11	3.2	14
PKD6-4-01	6	4	R1/8	7.5	67	63	11	19	8	37.5	13	11	3.2	12
PKD6-4-02	6	4	R1/4	10	69.5	63.5	11	19	8	37.5	13	11	3.2	14
PKD6-01	6	6	R1/8	7.5	76	72	13	23	8.5	42	14.5	13	3.2	12
PKD6-02	6	6	R1/4	10	78.5	72.5	13	23	8.5	42	14.5	13	3.2	14
PKD8-6-02	8	6	R1/4	10	79.5	73.5	13	23	8.5	42	14.5	13	3.2	14
PKD8-6-03	8	6	R3/8	10.5	80.5	74	13	23	8.5	42	14.5	13	3.2	17
PKD8-02	8	8	R1/4	10	87.5	81.5	14.5	25	11	47.5	18.5	14.5	4.2	14
PKD8-03	8	8	R3/8	10.5	88.5	82	14.5	25	11	47.5	18.5	14.5	4.2	17
PKD10-8-02	10	8	R1/4	10	88.5	82.5	14.5	25	11	47.5	18.5	14.5	4.2	17
PKD10-8-03	10	8	R3/8	10.5	89	82.5	14.5	25	11	47.5	18.5	14.5	4.2	17
PKD10-03	10	10	R1/4	10.5	101.5	95	18.5	29.5	12.5	60	21	18.5	4.2	17
PKD10-04	10	10	R3/8	13.5	105	97	18.5	29.5	12.5	60	21	18.5	4.2	21
PKD12-10-03	12	10	R1/4	10.5	103.5	97	18.5	29.5	12.5	60	21	18.5	4.2	17
PKD12-10-04	12	10	R3/8	13.5	107	99	18.5	29.5	12.5	60	21	18.5	4.2	21
PKD12-03	12	12	R1/4	10.5	109.5	103	21	29.5	13	68.5	21	21	4.2	17
PKD12-04	12	12	R3/8	13.5	113	105	21	29.5	13	68.5	21	21	4.2	21


快插接头

Series

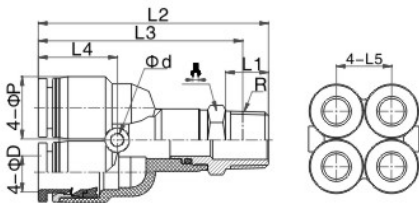
气动用管接头

PKD-G 螺纹五通终端



型号	ØD1	ØD2	G	L1	L2	L3	L4	L5	L6	L7	ØP1	ØP2	Ød	
PKD4-G01	4	4	G1/8	5.5	65	59.5	11	19	8	37.5	13	11	3.2	14
PKD4-G02	4	4	G1/4	6.5	66	59.5	11	19	8	37.5	13	11	3.2	17
PKD6-4-G01	6	4	G1/8	5.5	66.5	61	11	19	8	37.5	13	11	3.2	14
PKD6-4-G02	6	4	G1/4	6.5	67.5	61	11	19	8	37.5	13	11	3.2	17
PKD6-G01	6	6	G1/8	5.5	75.5	70	13	23	8.5	42	14.5	13	3.2	14
PKD6-G02	6	6	G1/4	6.5	76.5	70	13	23	8.5	42	14.5	13	3.2	17
PKD8-6-G02	8	6	G1/4	6.5	77.5	71	13	23	8.5	42	14.5	13	3.2	17
PKD8-6-G03	8	6	G3/8	7.5	79.5	72	13	23	8.5	42	14.5	13	3.2	30
PKD8-G02	8	8	G1/4	6.5	85.5	79	14.5	25	11	47.5	18.5	14.5	4.2	17
PKD8-G03	8	8	G3/8	7.5	87.5	80	14.5	25	11	47.5	18.5	14.5	4.2	20
PKD10-8-G02	10	8	G1/4	6.5	86	79.5	14.5	25	11	47.5	18.5	14.5	4.2	17
PKD10-8-G03	10	8	G3/8	7.5	88	80.5	14.5	25	11	47.5	18.5	14.5	4.2	20
PKD10-G03	10	10	G1/4	7.5	100.5	93	18.5	29.5	12.5	60	21	18.5	4.2	20
PKD10-G04	10	10	G3/8	10	103	93	18.5	29.5	12.5	60	21	18.5	4.2	24
PKD12-10-G03	12	10	G1/4	7.5	102.5	95	18.5	29.5	12.5	60	21	18.5	4.2	20
PKD12-10-G04	12	10	G3/8	10	105	95	18.5	29.5	12.5	60	21	18.5	4.2	24
PKD12-G03	12	12	G1/4	7.5	108.5	101	21	29.5	13	68.5	21	21	4.2	20
PKD12-G04	12	12	G3/8	10	111	101	21	29.5	13	68.5	21	21	4.2	24

PRX-R 螺纹五通终端



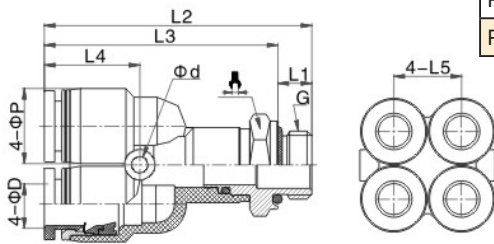
型号	ØD1	R	L1	L2	L3	L4	L5	ØP	六角
PRX4-01	4	R1/8	8	46	42	15.5	13	13	14
PRX4-02	4	R1/4	10	48	42	15.5	13	13	14
PRX4-03	4	R3/8	11	49.5	43	15.5	13	13	17
PRX6-01	6	R1/8	8	46	42	15.5	13	13	14
PRX6-02	6	R1/4	10	48	42	15.5	13	13	14
PRX6-03	6	R3/8	11	49.5	43	15.5	13	13	17

快插接头

Series

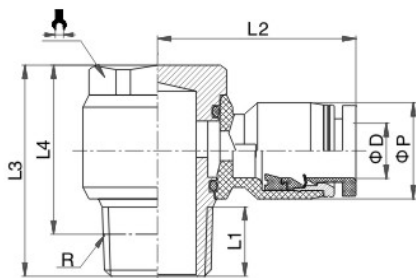
气动用管接头

PRX-G 螺纹五通终端



型号	ØD1	G	L1	L2	L3	L4	L5	ØP	六角
PRX4-G01	4	G1/8	5.5	39.5	39.5	15.5	13	13	14
PRX4-G02	4	G1/4	6.5	40	40	15.5	13	13	17
PRX4-G03	4	G3/8	7.5	40.5	40.5	15.5	13	13	20
PRX6-G01	6	G1/8	5.5	39.5	39.5	15.5	13	13	14
PRX6-G02	6	G1/4	6.5	40	40	15.5	13	13	17
PRX6-G03	6	G3/8	7.5	40.5	40.5	15.5	13	13	20

PH-R 螺纹回转直角终端



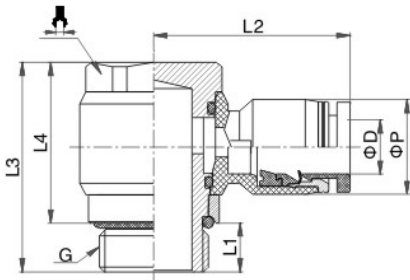
型号	ØD1	R	L1	L2	L3	L4	ØP	六角
PH4-M5	4	M5	4	20	17	13	11	8
PH4-M6	4	M6	4	20	18	14	11	8
PH4-01	4	R1/8	7	23	24	20	11	12
PH4-02	4	R1/4	9.5	25	26.5	20.5	11	14
PH6-M5	6	M5	4	21.5	17	13	13	8
PH6-M6	6	M6	4	21.5	18	14	13	8
PH6-01	6	R1/8	7	23	24	20	13	12
PH6-02	6	R1/4	9.5	25	26.5	20.5	13	18
PH6-03	6	R3/8	10.5	27	32	25.5	13	19
PH6-04	6	R1/2	14	33	39	31	14.5	24
PH8-01	8	R1/8	7	26.5	24	20	14.5	12
PH8-02	8	R1/4	9.5	29	26.5	20.5	14.5	14
PH8-03	8	R3/8	10.5	30.5	32	25.5	14.5	19
PH8-04	8	R1/2	14	33	39	31	14.5	24
PH10-01	10	R1/8	7	29	24	20	18.5	12
PH10-02	10	R1/4	9.5	31	26.5	20.5	18.5	14
PH10-03	10	R3/8	10.5	32	32	25.5	18.5	19
PH10-04	10	R1/2	14	34.5	39	31	18.5	24
PH12-02	12	R1/4	9.5	33	26.5	20.5	21	14
PH12-03	12	R3/8	10.5	35	32	25.5	21	19
PH12-04	12	R1/2	14	36.5	39	31	21	24
PH16-04	16	R1/2	14	39	39	31	26	24


快插接头

Series

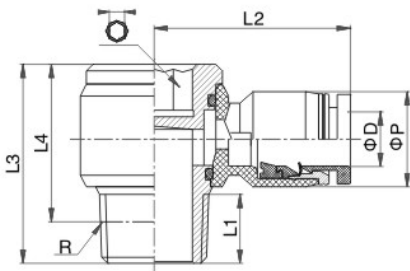
气动用管接头


PH-G 螺纹回转直角终端



型号	ØD	G	L1	L2	L3	L4	ØP	
PH4-G01	4	G1/8	5	23	23.5	18.5	11	12
PH4-G02	4	G1/4	7	25	27	20	11	14
PH6-G01	6	G1/8	5	23	23.5	18.5	13	12
PH6-G02	6	G1/4	7	25	27	20	13	14
PH6-G03	6	G3/8	7.5	27	32	24.5	13	19
PH6-G04	6	G1/2	10	33	39	29	14.5	24
PH8-G01	8	G1/8	5	26.5	23.5	18.5	14.5	12
PH8-G02	8	G1/4	7	29	27	20	14.5	14
PH8-G03	8	G3/8	7.5	30.5	32	24.5	14.5	19
PH8-G04	8	G1/2	10	33	39	29	14.5	24
PH10-G01	10	G1/8	5	29	23.5	18.5	18.5	12
PH10-G02	10	G1/4	7	31	27	20	18.5	14
PH10-G03	10	G3/8	7.5	32	32	24.5	18.5	19
PH10-G04	10	G1/2	10	34.5	39	29	18.5	24
PH12-G02	12	G1/4	7	33	27	20	21	14
PH12-G03	12	G3/8	7.5	35	32	24.5	21	19
PH12-G04	12	G1/2	10	36.5	39	29	21	24
PH16-G04	16	G1/2	10	39	39	29	26	24

POL-I 型内六角回转终端



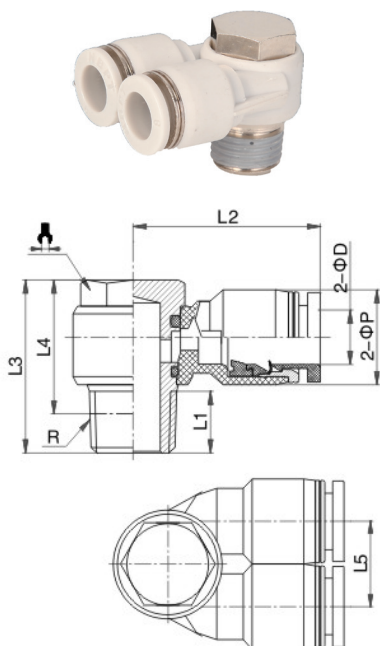
型号	ØD	R	L1	L2	L3	L4	ØP	
POL4-M5-I	4	M5	3.5	20	16.5	13	11	4
POL4-01-I	4	R1/8	7	23	22.5	18.5	11	6
POL4-02-I	4	R1/4	9.5	25	25	19	11	8
POL6-M5-I	6	M5	3.5	21.5	16.5	13	13	4
POL6-01-I	6	R1/8	7	23	22.5	18.5	13	6
POL6-02-I	6	R1/4	9.5	25	25	19	13	8
POL6-03-I	6	R3/8	10.5	27	30.5	24	13	10
POL8-01-I	8	R1/8	7	26.5	22.5	18.5	14.5	6
POL8-02-I	8	R1/4	9.5	29	25	19	14.5	8
POL8-03-I	8	R3/8	10.5	30.5	30.5	24	14.5	10
POL8-04-I	8	R1/2	14	33	37	29	14.5	12
POL10-01-I	10	R1/8	7	29	22.5	18.5	18.5	6
POL10-02-I	10	R1/4	9.5	31	25	19	18.5	8
POL10-03-I	10	R3/8	10.5	32	30.5	24	18.5	10
POL10-04-I	10	R1/2	14	34.5	37	29	18.5	12
POL12-02-I	12	R1/4	9.5	33	25	19	21	8
POL12-03-I	12	R3/8	10.5	35	30.5	24	21	10
POL12-04-I	12	R1/2	14	36.5	37	29	21	12
POL16-04-I	16	R1/2	14	39	37	29	26	12


快插接头

Series

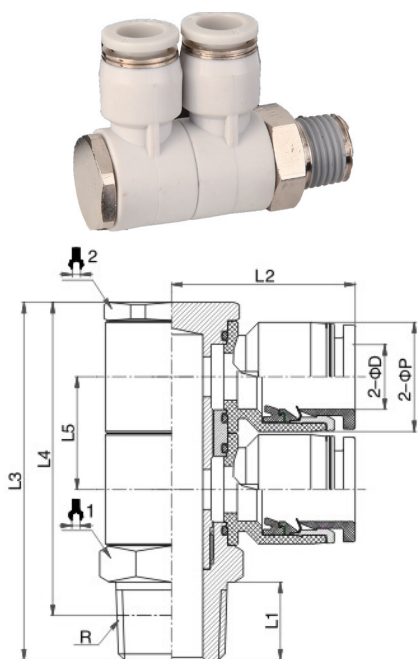
气动用管接头



PA 回转三通终端



型号	ØD	R	L1	L2	L3	L4	L5	ØP	
PA4-M5	4	M5	4	22.5	17	13	11	11	8
PA6-01	6	R1/8	7	24	24	20	13	13	12
PA8-01	8	R1/8	7	26	24	20	14.5	14.5	12
PA8-02	8	R1/4	9.5	28	26.5	20.5	14.5	14.5	14
PA10-02	10	R1/4	9.5	31	26.5	20.5	18.5	18.5	14
PA10-03	10	R3/8	10.5	33	32	25.5	18.5	18.5	19
PA12-03	12	R3/8	10.5	34	32	25.5	21	21	19
PA12-04	12	R1/2	14	36.5	39	31	21	21	24
PA6-G01	6	G1/8	5	24	23.5	18.5	13	13	12
PA8-G01	8	G1/8	5	26	23.5	18.5	14.5	14.5	12
PA8-G02	8	G1/4	7.5	28	27	19.5	14.5	14.5	14
PA10-G02	10	G1/4	7.5	31	27	19.5	18.5	18.5	14
PA10-G03	12	G3/8	7.5	33	32	24.5	18.5	18.5	19
PA12-G03	12	G3/8	7.5	34	32	24.5	21	21	19
PA12-G04		G1/2	10	36.5	39	29	21	21	24

PHW-R 螺纹回转 F 形三通终端



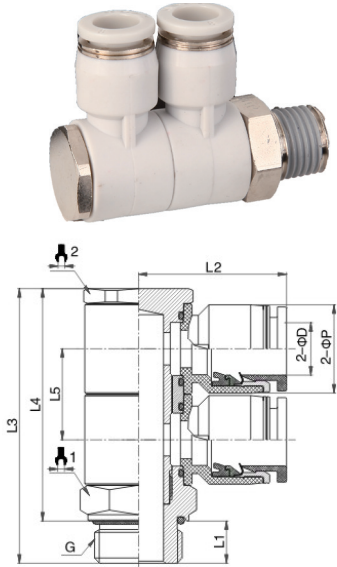
型号	ØD	R	L1	L2	L3	L4	L5	ØP		
PHW4-01	4	R1/8	8	23.5	43	39	13.5	13	14	14
PHW4-02	4	R1/4	11	23.5	46	40	13.5	13	14	14
PHW6-01	6	R1/8	8	23.5	43	39	13.5	13	14	14
PHW6-02	6	R1/4	11	23.5	46	40	13.5	13	14	14
PHW6-03	6	R3/8	12	23.5	48	41.5	13.5	13	17	17
PHW8-01	8	R1/8	8	27.5	47	43	15	14.5	17	17
PHW8-02	8	R1/4	11	27.5	50	44	15	14.5	17	17
PHW8-03	8	R3/8	12	27.5	51	44.5	15	14.5	17	17
PHW8-04	8	R1/2	15	27.5	55	47	15	14.5	21	17
PHW10-02	10	R1/4	11	32	58	52	18.5	18.5	21	21
PHW10-03	10	R3/8	12	32	59	52.5	18.5	18.5	21	21
PHW10-04	10	R1/2	15	32	62	54	18.5	18.5	21	21
PHW12-02	12	R1/4	11	35	64.5	58.5	21.5	21	24	24
PHW12-03	12	R3/8	12	35	65.5	59	21.5	21	24	24
PHW12-04	12	R1/2	15	35	68.5	60.5	21.5	21	24	24



快插接头

Series

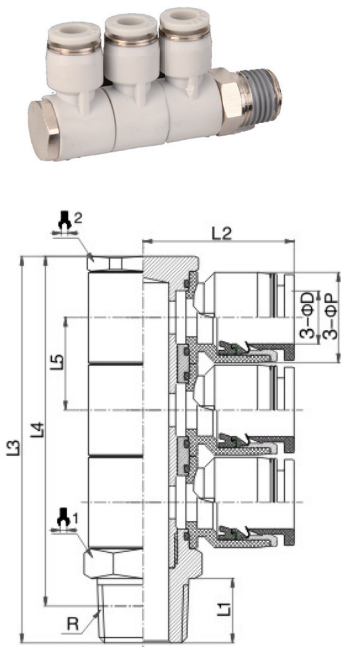
气动用管接头



PHW-G 螺纹回转 F 形三通终端



型号	ØD	G	L1	L2	L3	L4	L5	ØP		
PHW4-G01	4	G1/8	5.5	23.5	42	36.5	13.5	13	14	14
PHW4-G02	4	G1/4	6.5	23.5	43	36.5	13.5	13	17	14
PHW6-G01	6	G1/8	5.5	23.5	42	36.5	13.5	13	14	14
PHW6-G02	6	G1/4	6.5	23.5	43	36.5	13.5	13	17	14
PHW6-G03	6	G3/8	7.5	23.5	45	37.5	13.5	13	20	14
PHW8-G01	8	G1/8	5.5	27.5	46	40.5	15	14.5	17	17
PHW8-G02	8	G1/4	6.5	27.5	47	40.5	15	14.5	17	17
PHW8-G03	8	G3/8	7.5	27.5	48	40.5	15	14.5	20	17
PHW8-G04	8	G1/2	10	27.5	51.5	41.5	15	14.5	24	17
PHW10-G02	10	G1/4	6.5	32	55	48.5	18.5	18.5	21	21
PHW10-G03	10	G3/8	7.5	32	56	48.5	18.5	18.5	21	21
PHW10-G04	10	G1/2	10	32	58.5	48.5	18.5	18.5	24	21
PHW12-G02	12	G1/4	6.5	32	61.5	55	21.5	21	24	24
PHW12-G03	12	G3/8	7.5	35	62.5	55	21.5	21	24	24
PHW12-G04	12	G1/2	10	35	65	55	21.5	21	24	24

PHT-R 螺纹回转 F 形四通终端



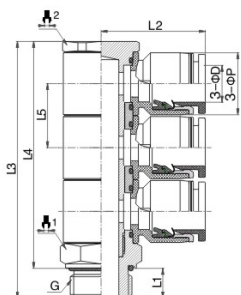
型号	ØD	R	L1	L2	L3	L4	L5	ØP		
PHT4-01	4	R1/8	8	23.5	56.5	52.5	13.5	13	14	14
PHT4-02	4	R1/4	11	23.5	59.5	53.5	13.5	13	14	14
PHT6-01	6	R1/8	8	23.5	56.5	52.5	13.5	13	14	14
PHT6-02	6	R1/4	11	23.5	59.5	53.5	13.5	13	14	14
PHT6-03	6	R3/8	12	23.5	61.5	55	13.5	13	17	14
PHT8-01	8	R1/8	8	27.5	62	58	15	14.5	17	17
PHT8-02	8	R1/4	11	27.5	65	59	15	14.5	17	17
PHT8-03	8	R3/8	12	27.5	66	59.5	15	14.5	17	17
PHT8-04	8	R1/2	15	27.5	70	62	15	14.5	21	17
PHT10-02	10	R1/4	11	32	76.5	70.5	18.5	18.5	21	21
PHT10-03	10	R3/8	12	32	77.5	71	18.5	18.5	21	21
PHT10-04	10	R1/2	15	32	80.5	72.5	18.5	18.5	21	21
PHT12-02	12	R1/4	11	35	86	80	21.5	21	24	24
PHT12-03	12	R3/8	12	35	87	80.5	21.5	21	24	24
PHT12-04	12	R1/2	15	35	90	82	21.5	21	24	24


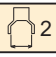
快插接头

Series

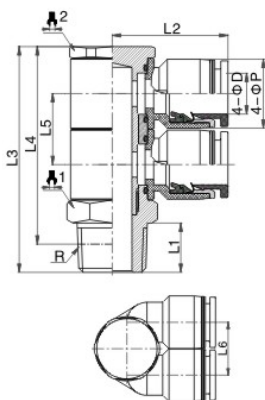
气动用管接头



PHT-G 螺纹回转 F 形四通终端



型号	ØD	G	L1	L2	L3	L4	L5	ØP		
PHT4-G01	4	G1/8	5.5	23.5	55.5	50	13.5	13	14	14
PHT4-G02	4	G1/4	6.5	23.5	56.5	50	13.5	13	17	14
PHT6-G01	6	G1/8	5.5	23.5	55.5	50	13.5	13	14	14
PHT6-G02	6	G1/4	6.5	23.5	56.5	50	13.5	13	17	14
PHT6-G03	6	G3/8	7.5	23.5	58.5	51	13.5	13	20	14
PHT8-G01	8	G1/8	5.5	27.5	61	55.5	15	14.5	17	17
PHT8-G02	8	G1/4	6.5	27.5	62	55.5	15	14.5	17	17
PHT8-G03	8	G3/8	7.5	27.5	63	55.5	15	14.5	20	17
PHT8-G04	8	G1/2	10	27.5	66.5	56.5	15	14.5	24	17
PHT10-G02	10	G1/4	6.5	32	73.5	67	18.5	18.5	21	21
PHT10-G03	10	G3/8	7.5	32	74.5	67	18.5	18.5	21	21
PHT10-G04	10	G1/2	10	32	77	67	18.5	18.5	24	21
PHT12-G02	12	G1/4	6.5	32	83	76.5	21.5	21	24	24
PHT12-G03	12	G3/8	7.5	35	84	76.5	21.5	21	24	24
PHT12-G04	12	G1/2	10	35	86.5	76.5	21.5	21	24	24

PAW-R 螺纹回转 Y 形五通终端



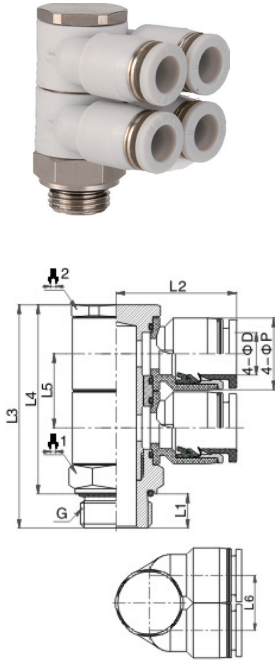
型号	ØD	R	L1	L2	L3	L4	L5	L6	ØP		
PAW4-01	4	R1/8	8	23	43	39	13.5	13	13	14	14
PAW4-02	4	R1/4	11	23	46	40	13.5	13	13	14	14
PAW6-01	6	R1/8	8	23.5	43	39	13.5	13	13	14	14
PAW6-02	6	R1/4	11	23.5	46	40	13.5	13	13	14	14
PAW6-03	6	R3/8	12	27.5	48	41.5	13.5	13	13	17	17
PAW8-01	8	R1/8	8	27.5	47	43	15	14.5	14.5	17	17
PAW8-02	8	R1/4	11	27.5	50	44	15	14.5	14.5	17	17
PAW8-03	8	R3/8	12	27.5	51	44.5	15	14.5	14.5	17	17
PAW8-04	8	R1/2	15	27.5	55	47	15	14.5	14.5	21	21
PAW10-02	10	R1/4	11	32	58	52	18.5	18.5	18.5	21	21
PAW10-03	10	R3/8	12	32	59	52.5	18.5	18.5	18.5	21	21
PAW10-04	10	R1/2	15	32	62	54	18.5	18.5	18.5	21	21
PAW12-02	12	R1/4	11	35	64.5	58.5	21.5	21	21	24	24
PAW12-03	12	R3/8	12	35	65.5	59	21.5	21	21	24	24
PAW12-04	12	R1/2	15	35	68.5	60.5	21.5	21	21	24	24

快插接头

Series

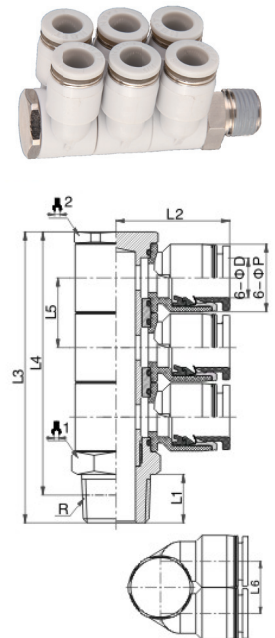
气动用管接头

PAW-G 螺纹回转 Y 形五通终端



型号	ØD	G	L1	L2	L3	L4	L5	L6	ØP	1	2
PAW4-G01	4	G1/8	5.5	23	42	36.5	13.5	13	13	14	14
PAW4-G02	4	G1/4	6.5	23	43	36.5	13.5	13	13	17	14
PAW6-G01	6	G1/8	5.5	23.5	42	36.5	13.5	13	13	14	14
PAW6-G02	6	G1/4	6.5	23.5	43	36.5	13.5	13	13	17	14
PAW6-G03	6	G3/8	7.5	23.5	45	37.5	13.5	13	13	20	14
PAW8-G01	8	G1/8	5.5	27.5	46	40.5	15	14.5	14.5	17	17
PAW8-G02	8	G1/4	6.5	27.5	47	40.5	15	14.5	14.5	17	17
PAW8-G03	8	G3/8	7.5	27.5	48	40.5	15	14.5	14.5	20	17
PAW8-G04	8	G1/2	10	27.5	51.5	41.5	15	14.5	14.5	24	17
PAW10-G02	10	G1/4	6.5	32	55	48.5	18.5	18.5	18.5	21	21
PAW10-G03	10	G3/8	7.5	32	56	48.5	18.5	18.5	18.5	21	21
PAW10-G04	10	G1/2	10	32	58.5	48.5	18.5	18.5	18.5	24	21
PAW12-G02	12	G1/4	6.5	35	61.5	55	21.5	21	21	24	24
PAW12-G03	12	G3/8	7.5	35	62.5	55	21.5	21	21	24	24
PAW12-G04	12	G1/2	10	35	65	55	21.5	21	21	24	24

PAT-R 螺纹回转 Y 形七通终端



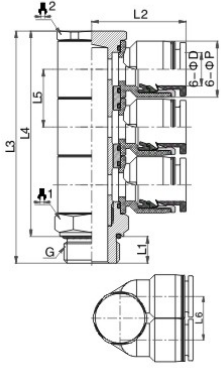
型号	ØD	R	L1	L2	L3	L4	L5	L6	ØP	1	2
PAT4-01	4	R1/8	8	23	56.5	52.5	13.5	13	13	14	14
PAT4-02	4	R1/4	11	23	59.5	53.5	13.5	13	13	14	14
PAT6-01	6	R1/8	8	23.5	56.5	52.5	13.5	13	13	14	14
PAT6-02	6	R1/4	11	23.5	59.5	53.2	13.5	13	13	14	14
PAT6-03	6	R3/8	12	27.5	61.5	55	13.5	13	13	17	14
PAT8-01	8	R1/8	8	27.5	62	58	15	14.5	14.5	17	17
PAT8-02	8	R1/4	11	27.5	65	59	15	14.5	14.5	17	17
PAT8-03	8	R3/8	12	27.5	66	59.5	15	14.5	14.5	17	17
PAT8-04	8	R1/2	15	27.5	70	62	15	14.5	14.5	21	17
PAT10-02	10	R1/4	11	32	76.5	70.5	18.5	18.5	18.5	21	21
PAT10-03	10	R3/8	12	32	77.5	71	18.5	18.5	18.5	21	21
PAT10-04	10	R1/2	15	32	80.5	72.5	18.5	18.5	18.5	21	21
PAT12-02	12	R1/4	11	35	86	80	21.5	21	21	24	24
PAT12-03	12	R3/8	12	35	87	80.5	21.5	21	21	24	24
PAT12-04	12	R1/2	15	35	90	82	21.5	21	21	24	24



快插接头

Series

气动用管接头

PAT-G 螺纹回转 Y 形七通终端



型号	ØD	G	L1	L2	L3	L4	L5	L6	ØP		
PAT4-G01	4	G1/8	5.5	23	55.5	50	13.5	13	13	14	14
PAT4-G02	4	G1/4	6.5	23	56.5	50	13.5	13	13	17	14
PAT6-G01	6	G1/8	5.5	23.5	55.5	50	13.5	13	13	14	14
PAT6-G02	6	G1/4	6.5	23.5	56.5	50	13.5	13	13	17	14
PAT6-G03	6	G3/8	7.5	23.5	58.5	51	13.5	13	13	20	14
PAT8-G01	8	G1/8	5.5	27.5	61	55.5	15	14.5	14.5	17	17
PAT8-G02	8	G1/4	6.5	27.5	62	55.5	15	14.5	14.5	17	17
PAT8-G03	8	G3/8	7.5	27.5	63	55.5	15	14.5	14.5	20	17
PAT8-G04	8	G1/2	10	27.5	66.5	56.5	15	14.5	14.5	24	17
PAT10-G02	10	G1/4	6.5	32	73.5	67	18.5	18.5	18.5	21	21
PAT10-G03	10	G3/8	7.5	32	74.5	67	18.5	18.5	18.5	21	21
PAT10-G04	10	G1/2	10	32	77	67	18.5	18.5	18.5	24	21
PAT12-G02	12	G1/4	6.5	35	83	76.5	21.5	21	21	24	24
PAT12-G03	12	G3/8	7.5	35	84	76.5	21.5	21	21	24	24
PAT12-G04	12	G1/2	10	35	86.5	76.5	21.5	21	21	24	24